



POLICOMP
componentes industriais



AC Servo Motor



Contents

Servo driver and motor model description-----	1
B Series AC Servo -----	2
D Series AC Servo -----	4
E series absolute AC servo -----	6
High voltage series AC servo -----	8
Embroidery machine servo -----	10
SD100, SD200 series CNC machine servo -----	11
40, 60 series AC servo motor-----	12
80 series AC servo motor -----	13
110 series AC servo motor -----	14
130 series AC servo motor-----	15
180 series AC servo motor-----	16
High-voltage series AC servo motor-----	17
Appendix A: Servo Drive Installation Dimensions-----	18



Drive Model Significance

SD B 08 N K8 A-X
 1 2 3 4 5 6 7

- 1, AC servo driver
- 2, Series code
 B: Universal 1
 D: Universal 2
 E: Absolute type
- 3, output power
 08:0.8 KW
 13:1.3KW
 20:2KW
- 4, Input voltage
 N : 220v
 H : 380V
- 5, Shape code : K7, K8, K9, K10, K11, K12
- 6, Version identification code : A, B
- 7, Affiliated features

Motor Model Significance

130 SM M 04 25 M A L Z
 1 2 3 4 5 6 7 8 9

- 1, Motor mounting flange : 40, 60, 80, 110, 130, 180
- 2, AC servo motor
- 3, Photoelectric encoder
- 4, Torque : 04:4N.M
- 5, Speed : 30-3000Turn25-2500Turn
- 6, Manufacturer code : M, S, D
- 7, encoder
 A : 2500 line incremental
 D : 2500 Line line-saving
 E : 17Bit absolute
- 8, Voltage : L : 220V
 H : 380V
- 9, Attributes : Z : Brake

B Series AC Servo



Series features

- ◇ Advanced digital control algorithm, precision current control, reduce motor heating
- ◇ Matches a variety of incremental, line-saving encoders
- ◇ Power frequency 220V or high voltage 380V power input, make you easy choice.
- ◇ Concise display operation panel, supporting PC debugging software for customer debugging and diagnosis
- ◇ Support 2-18 poles, 0.1KW-7.5KW full range of servo motors, more types
- ◇ Full series CE certification

Specification sheet for order

Servo model	motor model	Power(KW)	Rated speed(r/min)	Rated torque(Nm)
SDB04NK7	40SM-M00230MAL	0.05	3000	0.16
	40SM-M00330MAL	0.1	3000	0.32
	60SM-M00630MAL	0.2	3000	0.64
	60SM-M0130MAL	0.4	3000	1.27
SDB08NK8	60SM-M0230MAL	0.6	3000	1.91
	80SM-M0230MAL	0.75	3000	2.4
	80SM-M0425MAL	1.0	2500	4.0
SDB13NK9	110SM-M0430MAL	1.2	3000	4.0
	110SM-M0530MAL	1.5	3000	5.0
SDB20NK9	110SM-M0630MAL	1.8	3000	6.0
SDB13NK9	130SM-M0425MAL	1.0	2500	4.0
	130SM-M0525MAL	1.3	2500	5.0
SDB20NK9	130SM-M0625MAL	1.5	2500	6.0
	130SM-M0825MAL	2.0	2500	7.7
	130SM-M1025MAL	2.5	2500	10.0
SDB50NK10	130SM-M1525MAL	3.8	2500	15.0
	180SM-M1915MAL	3.0	1500	19.0
	180SM-M2220MAL	4.5	2000	22.0
	180SM-M2715MAL	4.3	1500	27.0

Applications

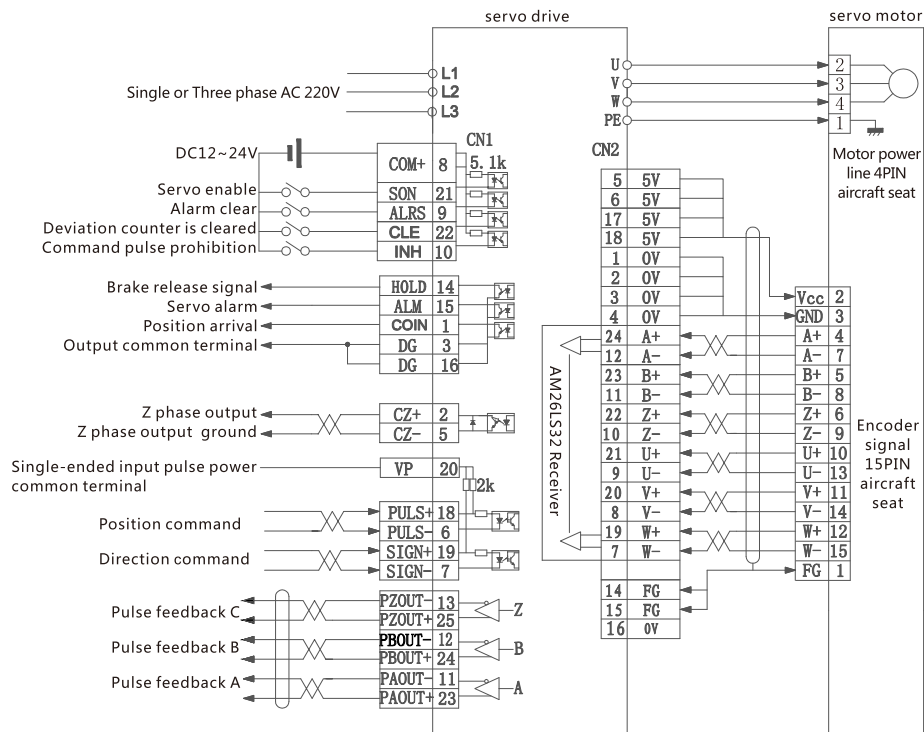
- Textile equipment
- CNC equipment
- Bending machinery
- Electronic manufacturing equipment
- Packaging and printing machinery
- Advertising engraving equipment
- Various types of automated robots

B Series AC Servo

Performance Specifications

External connection	Input power	single-phase AC170~253V
		50/60Hz
	control type	SVPWM control
Internal function	encoder	Incremental encoder 2500PPR/5000PPR/8192PPR
	Display and operation	Six bits seven-segment display LED: Four function keys
	Control mode	Position control/analog voltage speed control/speed test run/jog run
	Braking function	built-in
Position control mode	Protection function	Undervoltage, overvoltage, overload, overcurrent, encoder abnormality, brake abnormal, position excess error, etc.
	Command control method	External pulse
	External command pulse input	Form: pulse + direction ;CW/CCW pulse ;A/B quadrature Maximum frequency: Differential: 500KHZ Open Collector: 200KHZ
Speed control mode	Electronic gear ratio	1~32767/1~32767
	External analog voltage	voltage range: ±10V
Input/output signal	Position signal output	Output type: ABZ phase drive output / Z phase collector open circuit output Frequency division ratio: 1/255/~1
	input signal	4points photoelectric isolation input 1) Servo enable 2) Alarm clear 3) Deviation counter clear/speed select 1 4) Command pulse disable/speed select 2
	output signal	4points open collector 1) Servo ready output 2) Servo alarm output 3) Z signal output 4) Brake output
	Use environment	temperature: Working: 0°C~55°C Storage: -20°C~80°C humidity: Less than 90% (without condensation)

Typical application wiring diagram



D Series AC Servo



Series features

- ◇ International leading control platform and algorithm.
- ◇ Matches a variety of incremental, line-saving encoders
- ◇ Position speed and torque control functions, and can switch each other
- ◇ Equipped with RS485 communication interface for multiple serial control
- ◇ PLC. Built-in 4 point-to-point internal PLC function, eliminating PLC in repeated positioning
- ◇ A variety of intelligent monitoring functions and operation panel for customer debugging and diagnosis
- ◇ Can be matched with 0.1KW-7.5KW full range of servo motor, international motor standard
- ◇ Input/output ports can be freely defined and have strong applicability
- ◇ Full series CE certification

Applications

A variety of input and output signals and functions can be defined, built-in simple PLC functions and powerful RS485 communication functions. In the occasion of repeated positioning, PLC can be omitted, thus simplifying the control system and improving the stability of the entire electronic control system.

Suitable for the following occasions

Repeated positioning control occasions; occasions with multiple input and output requirements; Network Communication Applications

Mature application industry

- ◆ Industrial robots
- ◆ semiconductor equipment
- ◆ engraving equipment
- ◆ measuring instrument equipment
- ◆ medical equipment
- ◆ robots.

Specification sheet for order

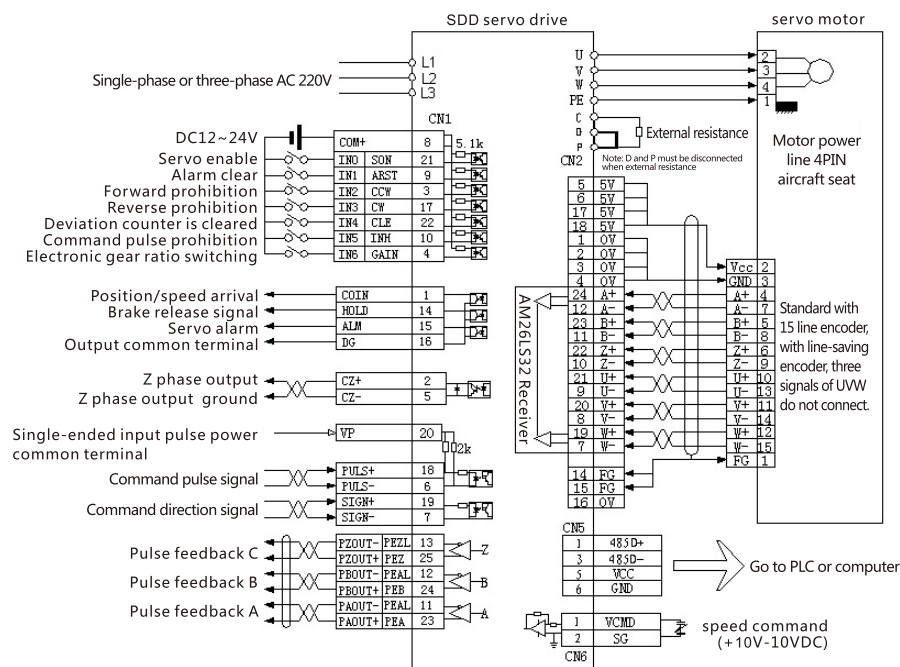
Servo model	motor model	Power(KW)	Rated speed(r/min)	Rated torque(Nm)
SDD04NK7	40SM-M00330MAL	0.1	3000	0.32
	60SM-M00630MAL	0.2	3000	0.64
	60SM-M0130MAL	0.4	3000	1.27
SDD08NK8	80SM-M0230MAL	0.75	3000	2.4
	80SM-M0425MAL	1.0	2500	4.0
SDD13NK9	130SM-M0520NAL	1.0	2000	4.77
SDD20NK9	130SM-M0820NAL	1.5	2000	7.16
	130SM-M1020NAL	2.0	2000	9.55
SDD50NK10	130SM-M1520NAL	3.0	2000	15.0
	180SM-M2715MAL	4.3	1500	27.0
	180SM-M2220MAL	4.5	2000	21.5

D Series AC Servo

Performance Specifications

External connection	Input power	single-phase AC170~253V	
		50/60Hz	
	control type	SVPWM control	
Internal function	encoder	2500 saving-line	
	Display and operation	Six bits seven-segment display LED: Four function keys	
	Control mode	Position control/speed test run/jog run/internal positioning PLC function/RS485 communication	
	Braking function	built-in	
Position control mode	Protection function	Undervoltage, overvoltage, overload, overcurrent, encoder abnormality, brake abnormal, position excess error, etc.	
	Command control method	External pulse	
	External command pulse input	Form	pulse + direction ;CW/CCW pulse ;A/B quadrature
		Maximum frequency	Differential: 1MHZ open collector: 200KHZ
	Electronic gear ratio	1~32767/1~32767	
Speed control mode	Internal speed control	I/Oterminal control	
Input/output signal	Position signal output	Output type	ABZ phase drive output / Z phase collector open circuit output
		Frequency division ratio	1/255/~1
	input signal	7points photoelectric isolation input	1) Servo enable 2) Alarm clear 3) Deviation counter clear/speed select 1 4) Command pulse inhibit/speed select 2 5) Position 0 6) Position 1 7) Position trigger
	output signal	4points open collector	1) Servo ready output 2) Servo alarm output 3) Z signal output 4) Brake output
Use environment	temperature	Working: 0°C~55°C Storage: -20°C~80°C	
	humidity	Less than 90% (without condensation)	

Typical application wiring diagram



E series absolute AC servo



Series features

- ◇ Advanced digital control algorithm, precision current control, reduce motor heating
- ◇ Can match variety of 17BIT, 23BIT absolute encoders
- ◇ Power frequency 220V or high voltage 380V power input, make you easy choice.
- ◇ Concise display operation panel, supporting PC debugging software for customer debugging and diagnosis
- ◇ With RS485 communication function, low-cost communication can be realized
- ◇ Support 2-18 poles, 0.1KW-7.5KW full range of servo motors, more types
- ◇ Full series CE certification

Applications

As a high-performance product, its control accuracy has reached the international level, and it can completely replace Panasonic, Fuji, Delta servos in automation equipment and other industries, allowing machines to maintain high performance standards, reduce costs and enhance competitiveness.

Suitable for the following occasions

High accuracy, high response application expectations; high performance, moderate cost

Mature application industry

- ◆ Industrial robots
- ◆ semiconductor equipment
- ◆ engraving equipment
- ◆ measuring instrument equipment
- ◆ medical equipment
- ◆ robots.

Specification sheet for order

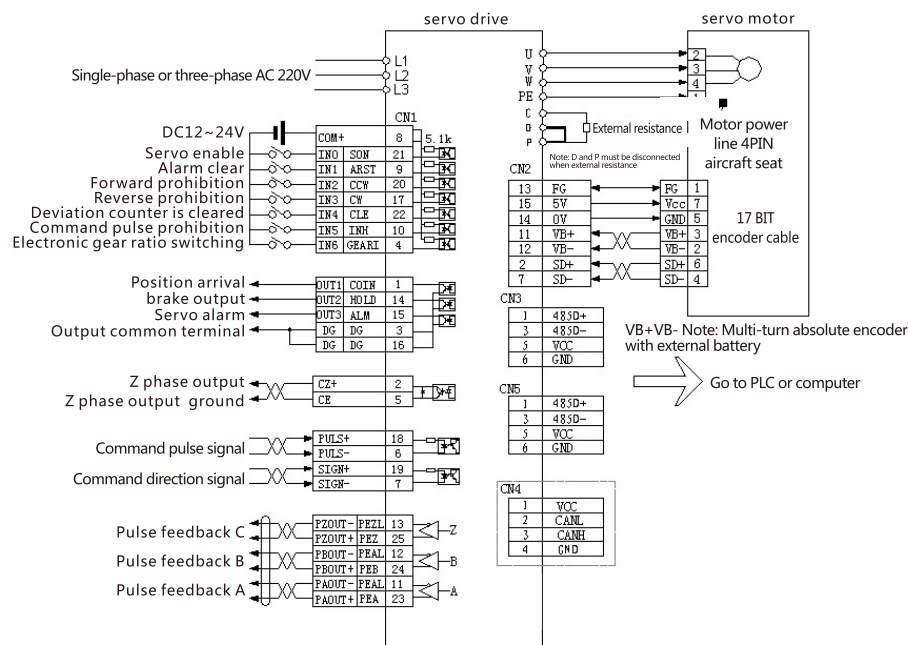
Servo model	motor model	Power(KW)	Rated speed(r/min)	Rated torque(Nm)
SDE04NK7	40SM-M00330MEL	0.1	3000	0.32
	60SM-M00630MEL	0.2	3000	0.64
	60SM-M0130MEL	0.4	3000	1.27
SDE08NK8	80SM-M0230MEL	0.75	3000	2.4
	80SM-M0425MEL	1.0	2500	4.0
SDE13NK9	130SM-M0520MEL	1.0	2000	4.77
SDE20NK9	130SM-M0820MEL	1.5	2000	7.16
	130SM-M1020MEL	2.0	2000	9.55
SDE50NK10	130SM-M1520MEL	3.0	2000	15.0
	180SM-M2715MEL	4.3	1500	27.0
	180SM-M2220MEL	4.5	2000	21.5

E series absolute AC servo

Performance Specifications

External connection	Input power	single-phase AC170~253V	
		50/60Hz	
	control type	SVPWM control	
	encoder	17Bit absolute	
Internal function	Display and operation	Six bits seven-segment display LED: Four function keys	
	Control mode	Position control/speed test run/jog run/internal positioningPLC function/RS485 communication	
	Braking function	built-in	
	Protection function	Undervoltage, overvoltage, overload, overcurrent, encoder abnormality,brake abnormal, position excess error, etc.	
Position control mode	Command control method	External pulse	
	External command pulse input	Form	pulse + direction ;CW/CCW pulse ;A/B quadrature
		Maximum frequency	Differential: 2MHZ open collector: 200KHZ
	Electronic gear ratio	1~32767/1~32767	
Speed control mode	Internal speed control	I/Oterminal control	
Input/output signal	Position signal output	Output type	ABZ phase drive output / Z phase collector open circuit output
		Frequency division ratio	1/255/~1
	input signal	7points photoelectric isolation input	1) Servo enable 2) Alarm clear 3) Deviation counter clear/speed select 1 4) Command pulse inhibit/speed select 2 5) Position 0 6) Position 1 7) Position trigger
	output signal	4points open collector	1) Servo ready output 2) Servo alarm output 3) Z signal output 4) Brake output
Use environment	temperature	Working: 0°C~55°C Storage: -20°C~80°C	
	humidity	Less than 90% (without condensation)	

Typical application wiring diagram



High voltage series AC servo

Series features

- ◇ Advanced digital control algorithm for high-precision positioning
- ◇ Can be matched with 1000, 5000, 8192, and other encoders for more precise positioning
- ◇ IPM intelligent module design, with complete include function
- ◇ A variety of intelligent monitoring functions and operation panel for customer debugging and diagnosis
- ◇ 380V input power design saves transformer costs
- ◇ High input voltage, large torque and acceleration



Specification sheet for order

Servo model	motor model	Power(KW)	Rated speed(r/min)	Rated torque(Nm)
SDB30HK10	130SM-M0825MAH	2.0	2500	7.7
	130SM-M1025MAH	2.5	2500	10.0
	130SM-M1525MAH	3.8	2500	15.0
SDB55HK11	180SM-M1915MAH	3.0	1500	19.0
	180SM-M2220MAH	4.5	2000	21.5
	180SM-M2715MAH	4.1	1500	27.0
	180SM-M3515MAH	5.5	1500	35.0
SDB75HK12	180SM-M4815MAH	7.5	1500	48.0

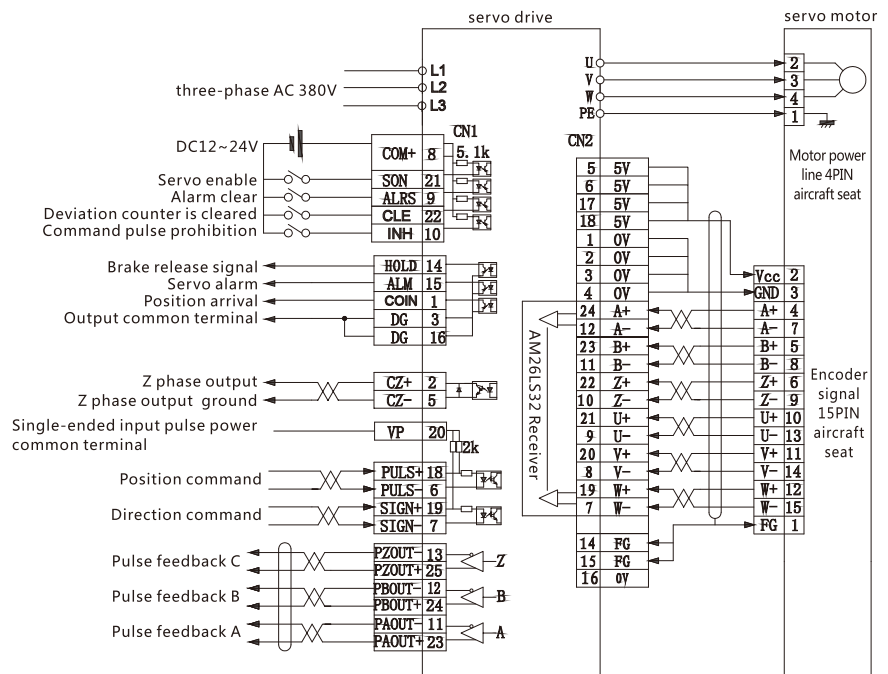
Applications

Servo drive designed for 180 flange 2KW-7.5KW series servo motor. With features of high integration and large function, it is easy to obtain large torque and acceleration.

- Mature application industry
- Cross cutting machine
- Winder
- CNC machining center



Typical application wiring diagram

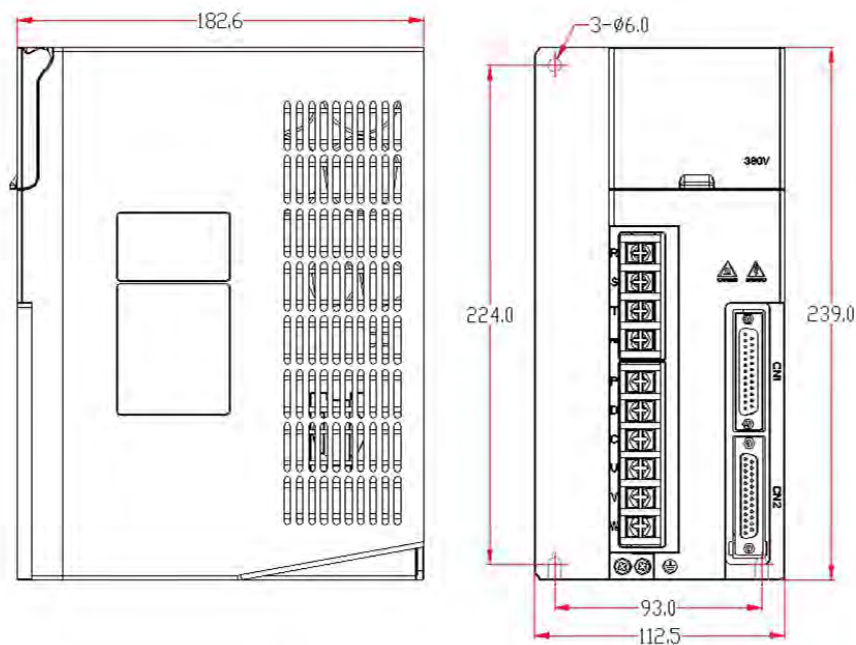


High voltage series AC servo

Performance Specifications

External connection	Input power		Three-phase AC300~450V
			50/60Hz
	control type		SVPWM control
	encoder		Incremental encoder 2500PPR/5000PPR/8192PPR
Internal function	Display and operation		Six bits seven-segment display LED: Four function keys
	Control mode		Position control/analog voltage speed control/speed test run/jog run
	Braking function		built-in
	Protection function		Undervoltage, overvoltage, overload, overcurrent, encoder abnormality, brake abnormal, position excess error, etc.
Position control mode	Command control method		External pulse
	External command pulse input	Form	pulse + direction ;CW/CCW pulse ;A/B quadrature
		Maximum frequency	Differential: 500KHZ Open Collector: 200KHZ
	Electronic gear ratio		1~32767/1~32767
Speed control mode	External analog voltage	voltage range	+10V
Input/output signal	Position signal output	Output type	ABZ phase drive output / Z phase collector open circuit output
		Frequency division ratio	1/255/~1
	input signal	4points photoelectric isolation input	1) Servo enable 2) Alarm clear 3) Deviation counter clear/speed select 1 4) Command pulse disable/speed select 2
	output signal	4points open collector	1) Servo ready output 2) Servo alarm output 3) Z signal output 4) Brake output
Use environment	temperature		Working: 0°C~55°C Storage: -20°C~80°C
	humidity		Less than 90% (without condensation)

Typical application wiring diagram



Embroidery machine servo

Series features



- ◇ Advanced control algorithm for high-precision positioning
- ◇ Can be adapted to Dahao, Shanlong, Tianhong, Jialichuang and other kinds of embroidery electronic control
- ◇ Fast parking response and stable speed
- ◇ Stable performance and simple operation
- ◇ Complete product line, spindle servo, XY frame servo, towel embroidery servo
- ◇ Supply whole set of servo motor and drive

Specification sheet for order

Servo model	Servo model	motor model	Power(KW)	Rated speed(r/min)	Rated torque(Nm)
XY frame servo	SDB18NK9	110SM-M0630MAL	1.8	3000	6.0
Towel embroidery D axis servo	SDB10NK9	130SM-M0425MAL	1.0	2500	4.0
Towel embroidery H axis servo	SDB18NK9	110SM-M0630MAL	1.8	3000	6.0
Spindle servo	SDB10NK9	130SM-M0425MAL	1.0	2500	4.0
	SDB13NK9	130SM-M0525MAL	1.3	2500	5.0
	SDB20NK9	130SM-M0825MALF	2.0	2500	7.7
	SDB26NK9	130SM-M1025MALF	2.6	2500	10.0
	SDB30NK10	130SM-M1520MALF	3.0	2000	15.0
High-voltage spindle servo	SDB30HK10	130SM-M1520MAHF	3.0	2000	15
	SDB55HK11	130SM-M1820MAHF	3.6	2000	18
	SDB55HK11	180SM-M2220MAHF	4.5	2000	22
XY frame servo	SDD20NK9	110SM-M1020MAL	2.0	2000	10

Application product



SD100/SD200 series CNC machine servo

Series features

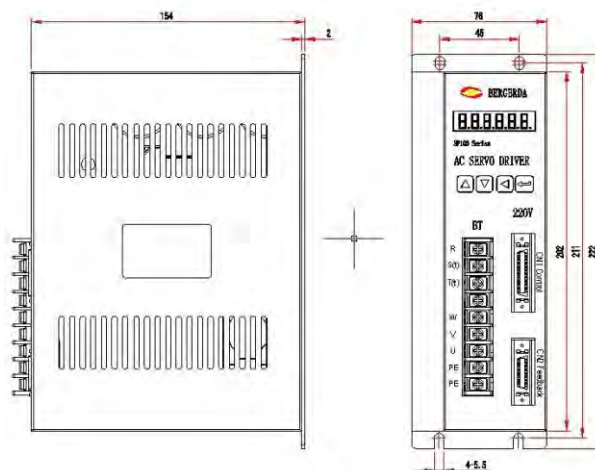


- ◇ Complete specifications, can match the entire system of 100,130 flange servo motor
- ◇ Good stability, fast response, strong anti-interference ability, high precision
- ◇ Installation size, interface, parameter settings are compatible with the market mainstream, easy to install and debug
- ◇ Input internal power supply and control circuit power supply internal short circuit, no external jumper, convenient wiring
- ◇ With position and speed analog control, including encoder feedback function to facilitate the composition of semi-closed closed loop numerical control system
- ◇ Maturely used in all kinds of lathes, milling machines, boring machines, drilling machines, grinding machines, punching machines, machining centers
- ◇ Optional 2500P/R, 5000P/R and other encoders for more precise positioning

Specification sheet for order

Servo model	motor model	Power (KW)	Rated speed(r/min)	Rated torque(Nm)
SD100-2AB	110SM-M0430MAL	1.2	3000	4.0
SD100-2AB	110SM-M0530MAL	1.5	3000	5.0
SD100-3AB	110SM-M0620MAL	1.2	2000	6.0
SD100-3AB	110SM-M0630MAL	1.8	3000	6.0
SD100-2AB	130SM-M0425MAL	1.0	2500	4.0
SD100-3AB	130SM-M0525MAL	1.3	2500	5.0
SD100-3AB	130SM-M0625MAL	1.5	2500	6.0
SD100-3AB	130SM-M0825MAL	2.0	2500	7.7
SD100-3AB	130SM-M1015MAL	1.5	1500	10.0
SD100-3AB	130SM-M1025MAL	2.5	2500	10.0
SD100-3AB	130SM-M1515MAL	2.3	1500	15.0
SD100-3AB	130SM-M1525MAL	3.8	2500	15.0

Installation dimension drawing



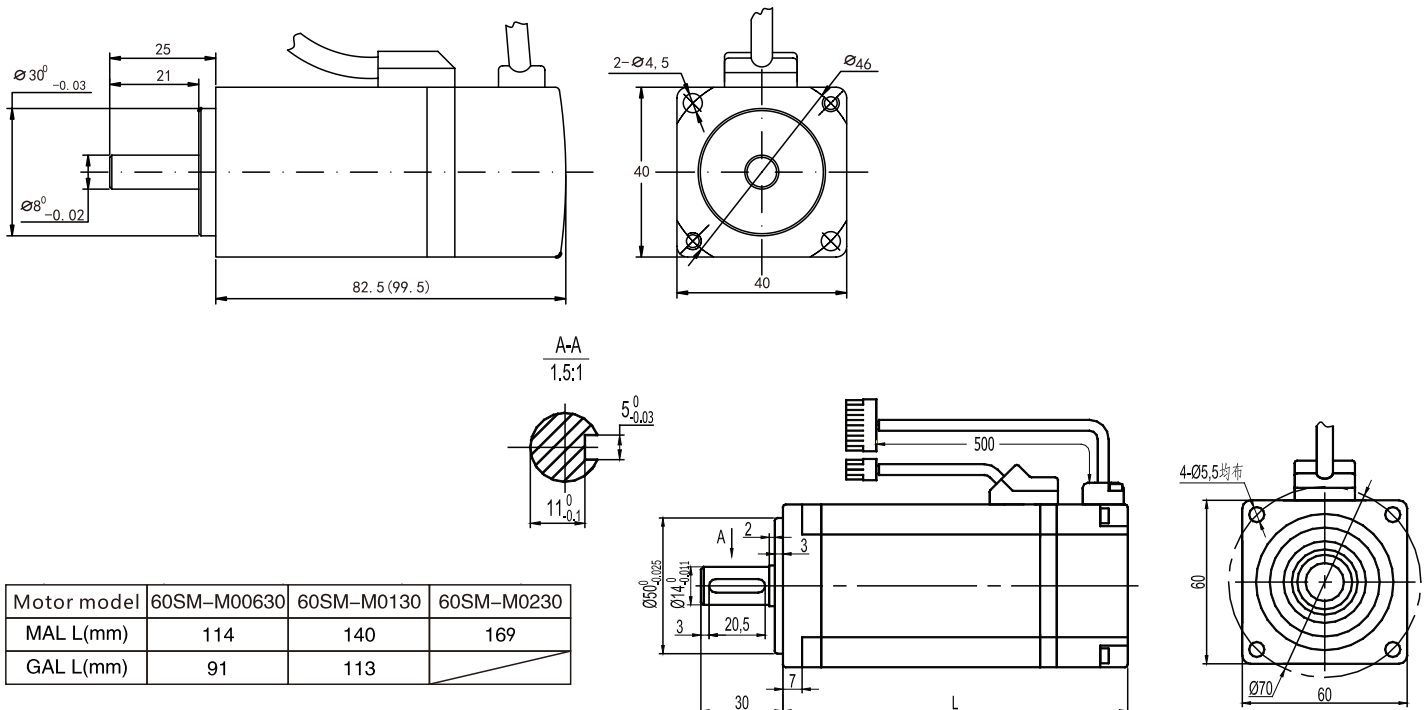
40, 60 series AC servo motor

Specification model



motor model	40SM-M00230MAL	40SM-M00330MAL	60SM-M00630MAL	60SM-M0130MAL	60SM-M0230MAL											
rated power (KW)	0.05	0.1	0.2	0.4	0.6											
Rated voltage (V)	220	220	220	220	220											
Rated current (A)	0.7	1.3	1.2	2.8	3.5											
Rated Speed (RPM)	3000	3000	3000	3000	3000											
Rated torque (N.M)	0.16	0.32	0.637	1.27	1.91											
Peak torque (N.M)	0.48	0.96	1.91	3.9	5.73											
Back EMF (V/1000r/min)	10	15	30.9	29.6	34											
Torque coefficient (N.M/A)	0.23	0.25	0.53	0.45	0.55											
Rotor inertia (KG.M ²)	0.025x10 ⁻⁴	0.046x10 ⁻⁴	0.17x10 ⁻⁴	0.29x10 ⁻⁴	0.39x10 ⁻⁴											
winding resistance (Ω)	30.8	11.5	6.18	2.35	1.93											
Winding inductance (MH)	24.5	10.9	29.3	14.5	10.7											
Electrical time constant (MS)	0.8	0.95	4.74	6.17	5.5											
weight (KG)	0.46	0.59	1.16	1.63	2.07											
Number of encoder lines(PPR)	2500															
insulation class	Class B(130°C)															
Safety class	IP65															
Use environment	Temperature : -20°C~+40°C;humidity : relative humidity < 90% (No dewing)															
Motor winding socket	Winding lead	U (black)		V (blue)		W (Brown)		PE(Yellow green)								
	Socket number	1		2		3		4								
Encoder socket	Signal leads	5V	0V	B+	Z-	U+	Z+	U-	A+	V+	W+	V-	A-	B-	W-	PE
	Socket number	2	3	4	5	6	7	8	9	10	11	12	13	14	15	1

Installation dimension drawing



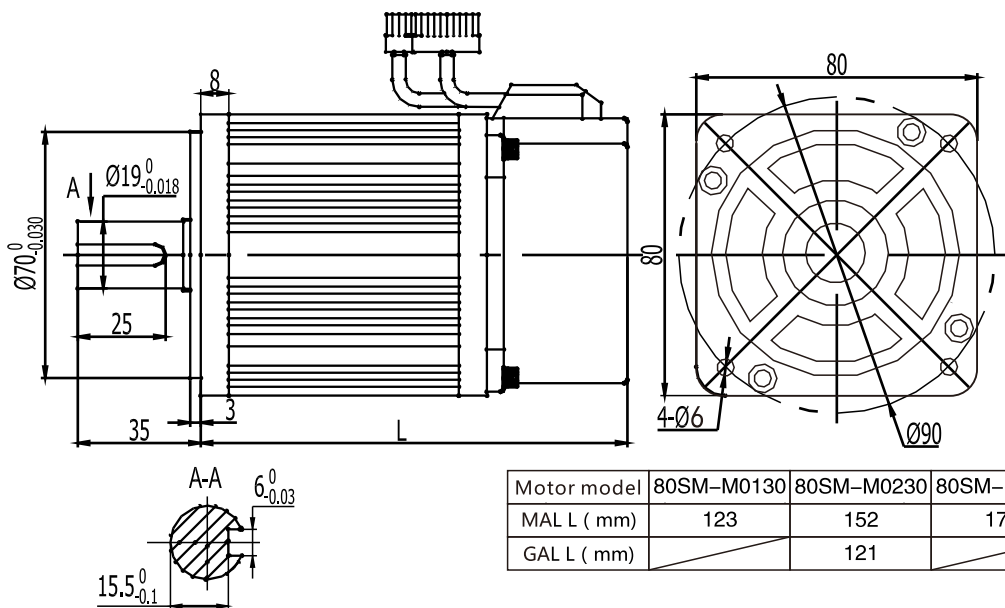
80 series AC servo motor

Specification model



motor model	80SM-M0130MAL	80SM-M0230MAL	80SM-M0320MAL	80SM-M0425MAL												
rated power (KW)	0.4	0.75	0.73	1.0												
Rated voltage (V)	220	220	220	220												
Rated current (A)	2	3	3	4.4												
Rated Speed (RPM)	3000	3000	2000	2500												
Rated torque (N.M)	1.27	2.39	3.5	4												
Peak torque (N.M)	3.8	7.1	10.5	12												
Peak current (A)	6	9	9	13.2												
Back EMF (V/1000r/min)	40	48	71	56												
Torque coefficient (N.M/A)	0.64	0.8	1.17	0.9												
Rotor inertia (KG.M ²)	1.05x10 ⁻⁴	1.82x10 ⁻⁴	2.63x10 ⁻⁴	2.97x10 ⁻⁴												
winding resistance (Ω)	4.44	2.88	3.65	1.83												
Winding inductance (MH)	7.93	6.4	8.8	4.72												
Electrical time constant(MS)	1.66	2.22	2.4	2.58												
weight (KG)	1.78	2.86	3.7	3.8												
Number of encoder lines(PPR)	2500															
insulation class	Class F(130°C)															
Safety class	IP65															
Use environment	Temperature : -20°C~+40°C;humidity : relative humidity < 90% (No dewing)															
Motor winding socket	Winding lead	U (black)	V (blue)	W (Brown)	PE(Yellow green)											
	Socket number	1	2	3	4											
Encoder socket	Signal leads	5V	0V	B+	Z-	U+	Z+	U-	A+	V+	W+	V-	A-	B-	W-	PE
	Socket number	2	3	4	5	6	7	8	9	10	11	12	13	14	15	1

Installation dimension drawing



Motor model	80SM-M0130	80SM-M0230	80SM-M0320	80SM-M0425
MAL L (mm)	123	152	179	191
GAL L (mm)		121		137

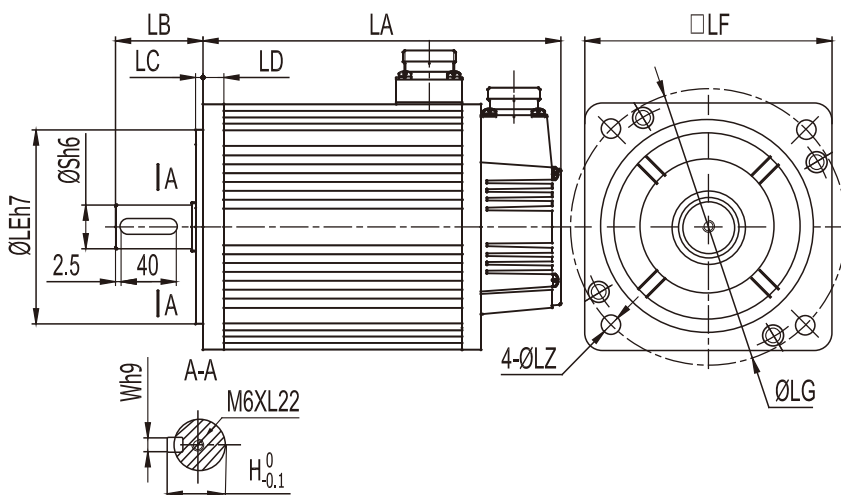
110 series AC servo motor

Specification model



motor model	110SM-M0230MAL	110SM-M0420MAL	110SM-M0430MAL	110SM-M0530MAL	110SM-M0620MAL	110SM-M0630MAL										
rated power (KW)	0.6	0.8	1.2	1.5	1.2	1.8										
Rated voltage (V)	220	220	220	220	220	220										
Rated current (A)	2.5	3.5	5.0	6	4.5	6.0										
Rated Speed (RPM)	3000	2000	3000	3000	2000	3000										
Rated torque (N.M)	2	4	4	5	6	6										
Peak torque (N.M)	6	12	12	15	12	18										
Peak current (A)	7.5	10.5	15	18	13.5	18										
Back EMF (V/1000r/min)	56	79	54	62	83	60										
Torque coefficient (N.M/A)	0.8	1.14	0.8	0.83	1.3	1.0										
Rotor inertia (KG.M ²)	0.31x10 ⁻³	0.54x10 ⁻³	0.54x10 ⁻³	0.63x10 ⁻³	0.76x10 ⁻³	0.76x10 ⁻³										
winding resistance (Ω)	3.6	2.41	1.09	1.03	1.46	0.81										
Winding inductance (MH)	8.32	7.3	3.3	3.43	4.7	2.59										
Electrical time constant (MS)	2.3	3	3.0	3.3	3.2	3.2										
weight (KG)	4.5	5.5	5.5	6.1	6.7	6.7										
Number of encoder lines(PPR)	2500															
insulation class	Class F(130°C)															
Safety class	IP65															
Use environment	Temperature : -20°C~+40°C;humidity : relative humidity < 90% (No dewing)															
Motor winding socket	Winding lead	U (black)		V (blue)		W (Brown)	PE(Yellow green)									
	Socket number	2		3		4	1									
Encoder socket	Signal leads	5V	0V	A+	B+	Z+	A-	B-	Z-	U+	V+	W+	U-	V-	W-	PE
	Socket number	2	3	4	5	6	7	8	9	10	11	12	13	14	15	1

Installation dimension drawing



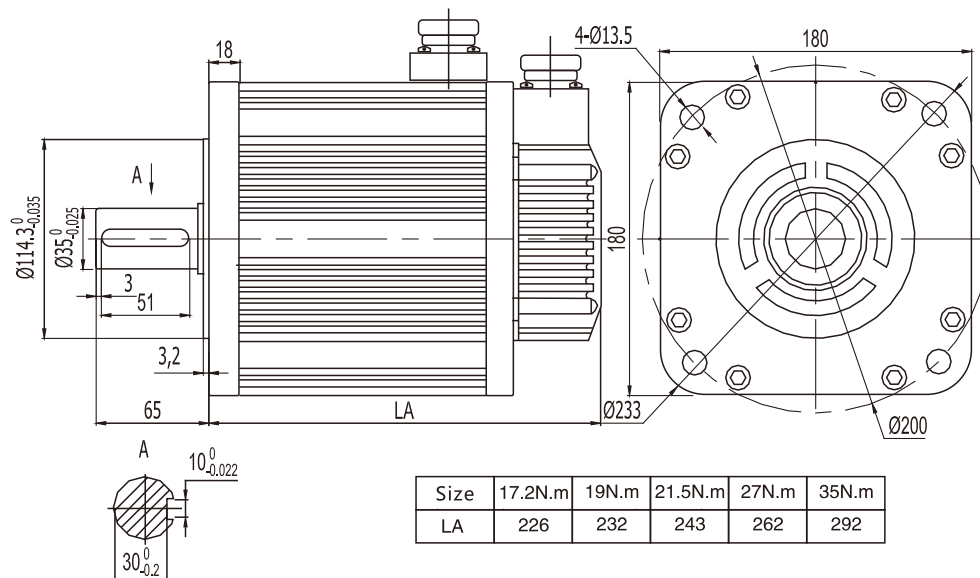
	110 (series)			
Rated torque(N.m)	2	4	5	6
LA	159	189	204	219
LB	55	55	55	55
LC	5	5	5	5
LD	12	12	12	12
LE	95	95	95	95
LF	110	110	110	110
LG	130	130	130	130
LZ	9	9	9	9
S	19	19	19	19
H	21.5	21.5	21.5	21.5
W	6	6	6	6

180 series AC servo motor

Specification model

motor model	180SM-M1915MAL	180SM-M2220MAL	180SM-M2715MAL	180SM-M3515MAL													
rated power (KW)	3.0	4.5	4.3	5.5													
Rated voltage (V)	220	220	220	220													
Rated current (A)	12	16	16	24													
Rated Speed (RPM)	1500	2000	1500	1500													
Rated torque (N.M)	19	21.5	27	35													
Peak torque (N.M)	47	53	67	70													
Back EMF (V/1000r/min)	97	84	103	90													
Torque coefficient (N.M/A)	1.58	1.34	1.69	1.45													
Rotor inertia (KG.M ²)	3.8×10 ⁻³	4.7×10 ⁻³	6.1×10 ⁻³	8.6×10 ⁻³													
winding resistance (Ω)	0.4	0.24	0.28	0.14													
Winding inductance (MH)	2.42	1.45	1.74	1.0													
Electrical time constant (MS)	6	6	6.2	7.14													
weight (KG)	20.5	22.2	25.5	30.5													
Number of encoder lines(PPR)	2500																
insulation class	Class F(155°C)																
Safety class	IP65																
Use environment	Temperature : -20°C~+40°C;humidity : relative humidity < 90% (No dewing)																
Motor winding socket	Winding lead	U (black)				V (blue)				W (Brown)				PE(Yellow green)			
	Socket number	2				3				4				1			
Encoder socket	Signal leads	5V	0V	A+	B+	Z+	A-	B-	Z-	U+	V+	W+	U-	V-	W-	PE	
	Socket number	2	3	4	5	6	7	8	9	10	11	12	13	14	15	1	

Installation dimension drawing

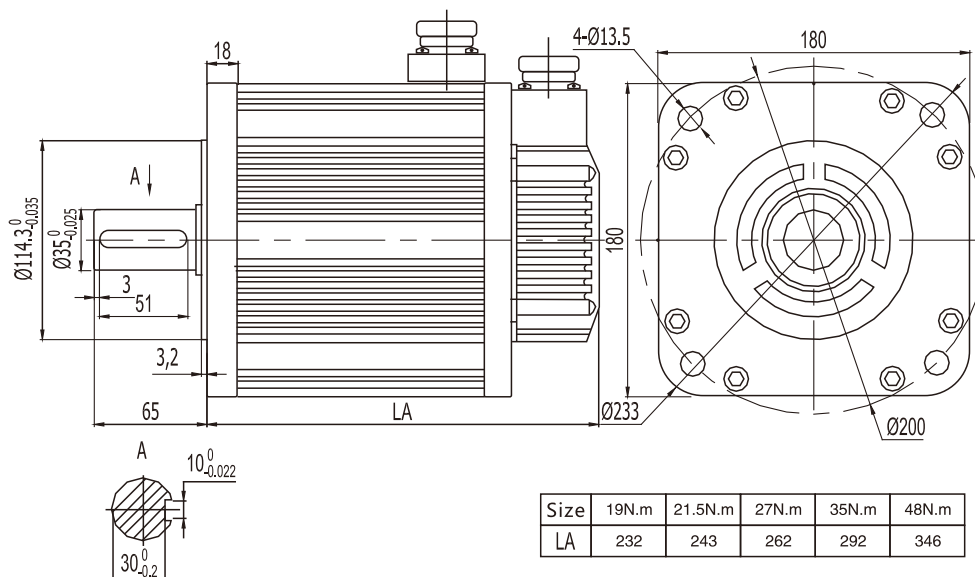


380 series AC servo motor

Specification model

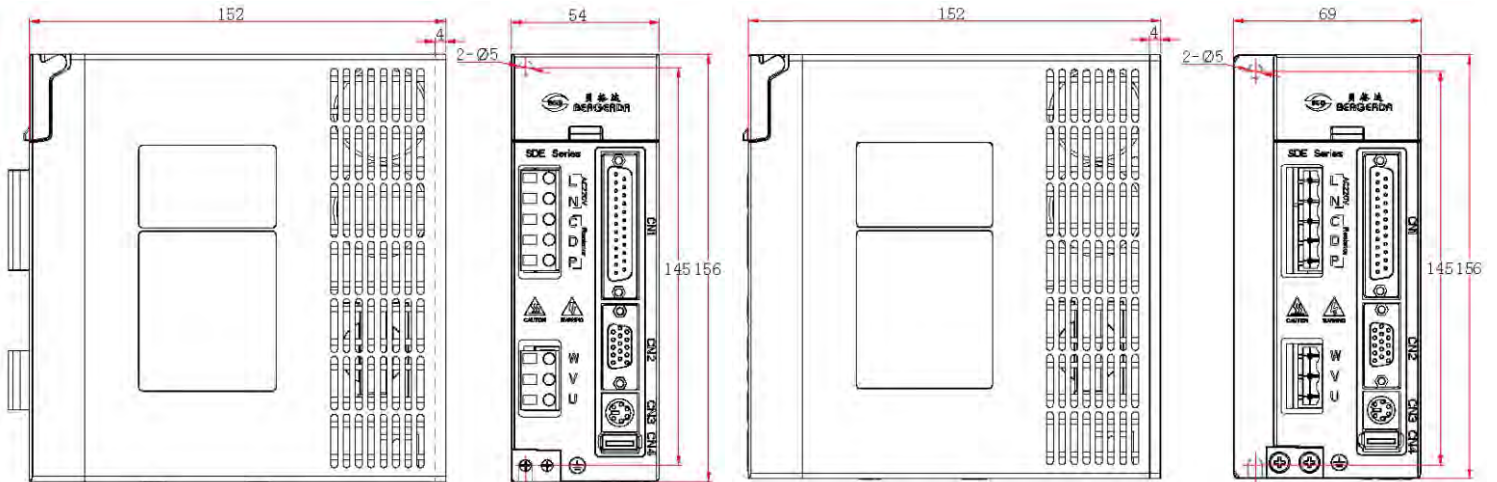
motor model	180SM-M1915MAH	180SM-M2220MAH	180SM-M2715MAH	180SM-M3515MAH	180SM-M4815MAH											
rated power (KW)	3.0	4.5	4.3	5.5	7.5											
Rated voltage (V)	380	380	380	380	380											
Rated current (A)	7.5	9.5	10	12	20											
Rated Speed (RPM)	1500	2000	1500	1500	1500											
Rated torque (N.M)	19	21.5	27	35	48											
Peak torque (N.M)	47	53	67	70	96											
Back EMF (V/1000r/min)	158	140	172	181	156											
Torque coefficient (N.M/A)	2.5	2.26	2.7	2.9	2.4											
Rotor inertia (KG.M ²)	3.8X10 ⁻³	4.7X10 ⁻³	6.1X10 ⁻³	8.6X10 ⁻³	9.5X10 ⁻³											
winding resistance (Ω)	1.15	0.71	0.79	0.62	0.27											
Winding inductance (MH)	6.4	4.0	4.83	4.0	2.14											
Electrical time constant (MS)	5.57	5.6	6	6.45	7.8											
weight (KG)	20.5	22.2	25.5	30.5	40											
Number of encoder lines(PPR)	2500															
insulation class	Class F(155°C)															
Safety class	IP65															
Use environment	Temperature : -20°C~+40°C;humidity : relative humidity < 90% (No dewing)															
Motor winding socket	Winding lead	U (black)			V (blue)			W (Brown)			PE(Yellow green)					
	Socket number	2			3			4			1					
Encoder socket	Signal leads	5V	0V	A+	B+	Z+	A-	B-	Z-	U+	V+	W+	U-	V-	W-	PE
	Socket number	2	3	4	5	6	7	8	9	10	11	12	13	14	15	1

Installation dimension drawing



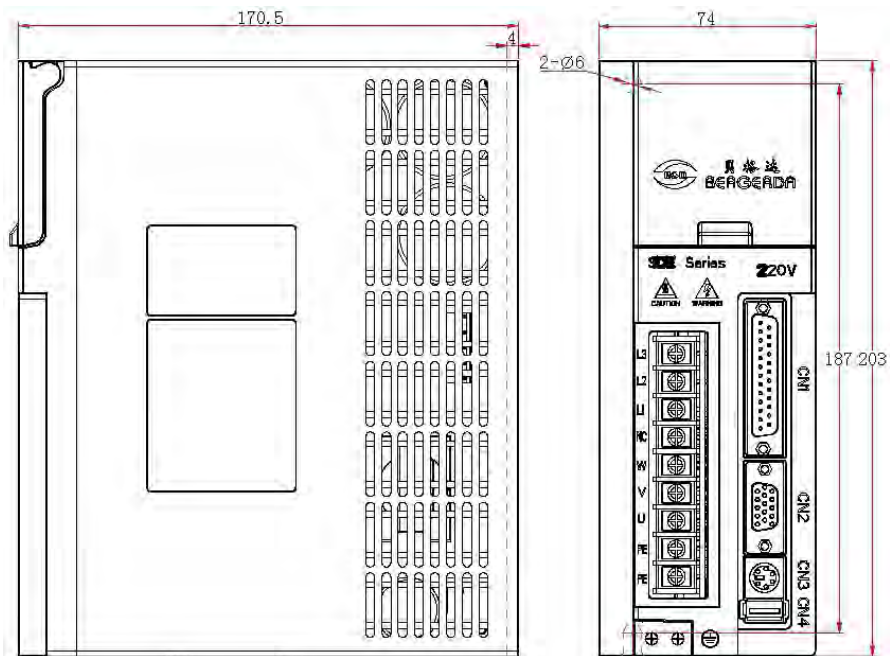
Appendix A: Servo Drive Installation Dimension drawing

Installation dimension drawing

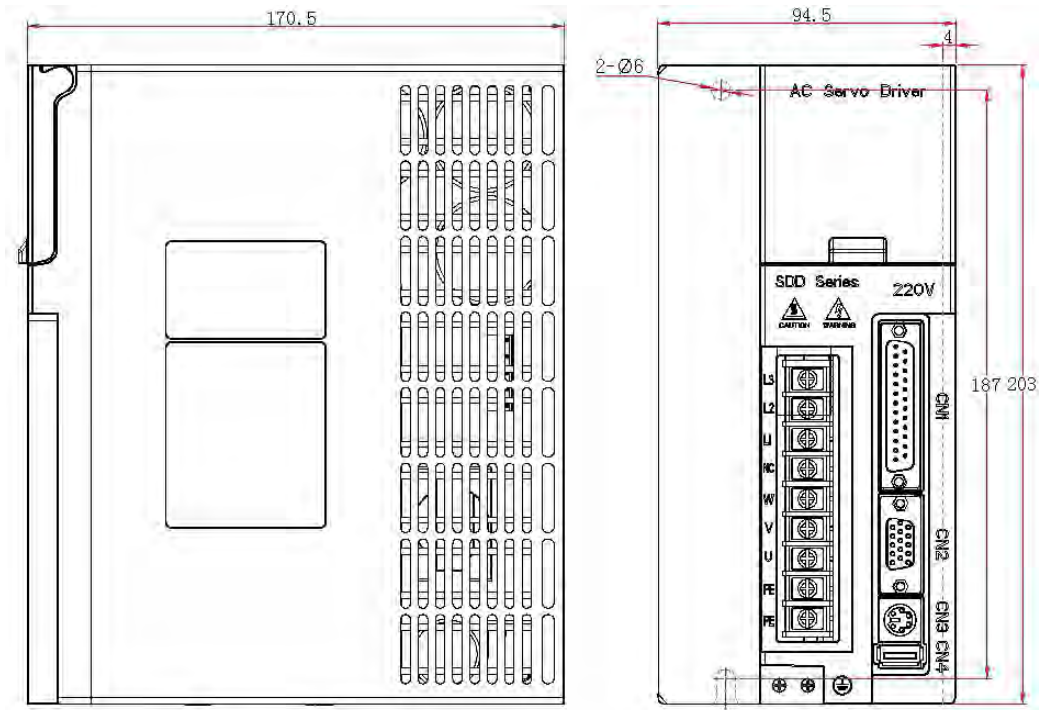


K7 installation dimension drawing

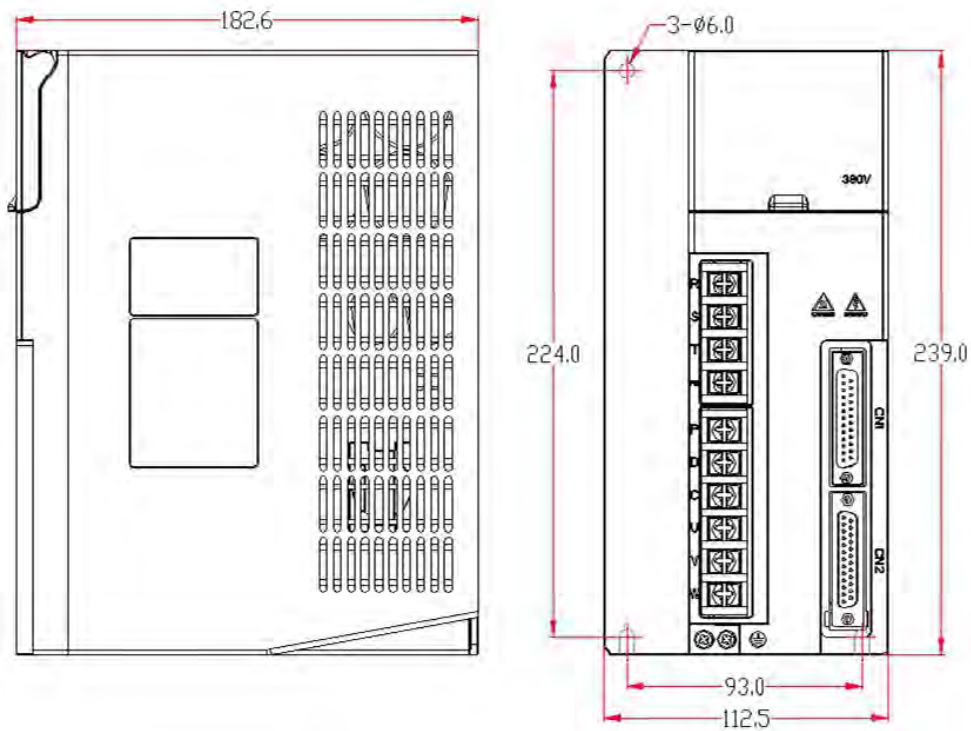
K8 installation dimension drawing



K9 installation dimension drawing



K10 installation dimension drawing



K11 installation dimension drawing

